

GRIPSET®

SEALED FOR GOOD

BRW INSTALLATION GUIDE

FOR UNDERTILE, SUBTERRANEAN AND SPECIALISED APPLICATIONS



Gripset Tech Support
Product Videos
Selection Guide



BRW Installation Guide

For undertile, subterranean and specialised applications

DESCRIPTION:

The Gripset BRW range is suite of performance sheet membranes designed for a range of under tile, subterranean and specialised applications

The central feature of the BRW sheet systems is the high tack, self-adhesive butyl backing that provides a solid waterproof layer with outstanding resistance to vibration, movement and flexing.

Forming an instant seal when applied onto surfaces, BRW systems are designed for quick and efficient installation, while providing a high strength, durable long term waterproofing system

BRW SYSTEM KEY FEATURES

The BRW membrane suite presents a number of unique features, maintaining key advantages over conventional liquid and traditional sheet based membrane systems including:

- Self-adhesive application with high bond strength
- Instant sealing properties
- Rapid, simplified installation
- Tough, durable and robust, with excellent rupture and tear resistance
- Self-sealing edges protecting sheet overlaps (HD)
- Excellent performance in low and high temperatures, -30°C to 80°C
- Flexible and excellent vibration resistant properties
- Anti-fracture and crack bridging properties
- Can be used in conjunction with Gripset liquid membrane systems (PFN)
- Excellent waterproof and vapour resistant properties
- Cold lay applied – no specialised tools or equipment required
- Solvent free, and requires no hazardous primers or adhesives
- Compliant to AS4858 and AS4654 for internal and external wet areas

SYSTEM GRADES

The BRW system comprises 2 different grades, each engineered to incorporate unique features for specific applications and environments

GRIPSET

SEALED FOR GOOD

GRADE 1)BRW-PFN

Self-adhesive butyl rubber sheet membrane with a high strength, fabric facing that supports the direct fixing of tiles and toppings.

USES

- Internal wet areas, showers and bathrooms floors
- External wet areas, balconies, terraces, podiums and rooftop floors under tiles / toppings
- General horizontal/floor surfaces where a durable, under tile sheet membrane is required
- Used in conjunction with Gripset wet area liquid membranes

CERTIFICATIONS

Independently tested and certified to:
AS 4858: Internal wet area membranes
AS 4654.1 Waterproofing membranes for external above-ground use (non-exposed)

ANCILLIARY SYSTEM ITEMS

BRW PFN Sheet Membrane is used in conjunction with the following Gripset products to compliment and complete the system

Elastoproof B50 Joint Band

Waterproof, elastic bond breaker tape for use at perimeter wall/floor junctions

BRW PF Tape

Self-Adhesive, fleece laminated butyl waterproof bond breaker and general detailing tape

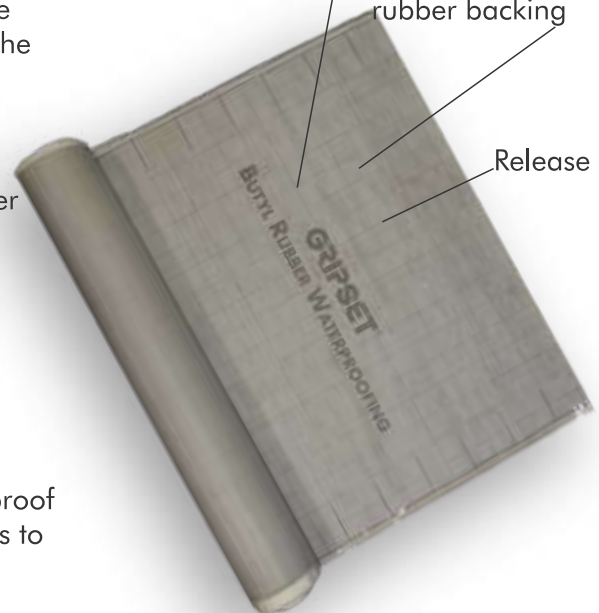
Gripset wet area liquid membranes

Used for sealing sheet overlaps and installing the Elastoproof B50 Joint band. Also used for waterproofing wall surfaces to internal wet areas.

High strength fabric facing

High tack, waterproof butyl rubber backing

Release paper



GRADE 2) BRW-HD

Self-adhesive butyl rubber sheet membrane with a laminated high strength HDPE film facing designed for subterranean and non-exposed waterproofing installations

USES

- Subterranean applications, retaining walls, external basements walls
- Planter boxes
- Green Roofs, earth shelters
- Podiums with pedestal paving systems

CERTIFICATIONS

Independently tested and certified to: AS 4654.1 Waterproofing membranes for external above-ground use (non-exposed)

ANCILLIARY SYSTEM ITEMS

BRW HD Sheet Membrane is used in conjunction with the following Gripset products to compliment and complete the system

BRW HD Tape

Self-Adhesive, HDPE laminated butyl waterproof bond breaker and general detailing tape

FG Sealing Tape

Seld adhesive, double sided fibre glass reinforced butyl strip, designed for use at sheet overlaps, ends of rolls and general terminations



TECHNICAL PROPERTIES

	BRW PFN	BRW HD
Colour/Material	White fabric facing with grey butyl rubber backing	HDPE plastic facing with black butyl rubber backing
Thickness	1mm	1mm
Tensile strength AS 4654.1 Appendix A	>2MPa	3MPa
Elongation at break AS 1145.3	96%	1000%
Membrane Class	Class II	Class III
Bond Strength ASTM C794	18.57N	43.5N
Application temperature	5°C to 45°C	5°C to 45°C
Service Temperature	-30°C to +80°C	-30°C to +80°C
Water Vapour transmission ASTM E96	0.08g/24h/m ²	1.4g/24h/m ²
Field Seam Strength	60.78	61.25N/25mm

COMPLIANCE

AS4858 – Internal Wet Areas	PASS	N/A
AS4654.1 – External Membranes for above ground areas	PASS	PASS

STORAGE

Product should be stored upright. Do not stack horizontally in multi layers to avoid distorting rolls. Store at room temperature in dry internal conditions and out of direct sunlight

Product is best used within 12 months of purchase, however properties will remain unchanged when stored correctly

TOOLS

The following tools are recommended for the successful installation of the BRW Sheet systems



INSTALLATION FOR BOTH GRADES OF SYSTEMS

1) SURFACE PREPARATION

Suitable substrates

BRW Sheet Systems are suitable for application over conventional building surfaces including:

- Concrete
- Concrete block
- Masonry
- Render
- Screed
- Compressed fibre cement sheeting
- PVC (including Dincel)
- Metals

Surface preparation

- All surfaces are to be clean, sound, smooth, dry, and free from loose material, dirt, dust, oil, grease, wax residues, laitance, curing compounds, release agents, existing coatings, moss, algae, sharp protruding objects and general surface contaminants that may compromise the adhesion of the overlaid membrane system
- Building surfaces must be fit for purpose, constructed and installed to manufacturer's recommendations and relevant building standards in force at time of application
- Concrete to be allowed to cure for at least 28 days, and cement render/sand cement screeds allowed to cure for at least 7 days

Surface profile

- Masonry surfaces to be pointed flush, and all surface defects including voids, holes, pitted sections, heavy undulations and non-structural cracks to be filled and levelled.
- For heavily undulated, rough or damaged horizontal surfaces to large sections of the surface to be waterproofed, a self-levelling compound may be required. Refer to the RLA TruLevel range for options. For smaller, localised repairs to horizontal and vertical surfaces, refer to the Gripset 11Y or E60 enhanced repair mortar or the RLA range of repair mortars for suitable options
- Ensure substrates maintain a flat, even and uniform surface profile to ensure the sheet is able to maintain full, even contact across the substrate and there are no voids under the sheet.

Application conditions

- Do not apply when surface or ambient temperatures are below 5°C or above 30°C
- Do not apply when rain is imminent. The BRW sheet membrane systems will not bond to damp surfaces

1) SUBSTRATE PRIMING

Priming is a key step in the BRW system install, designed to provide optimal adhesion to surfaces, while ensuring peak performance of the membrane system.

Porous surfaces:

Gripset GP

Water based latex primer

Uses:

- Internal / external applications over porous floor surfaces
- External applications over dry, porous vertical surfaces/walls using the BRW HD system.

Coverage: Apply @ coverage of 1litre/8m-10m² per coat



Non porous surfaces:

Gripset OP

Non porous surface primer

Uses:

- Internal/external applications over non porous floor substrates including Hardies Scyon Secura or comparable lightweight sheet flooring

Coverage: Apply @ coverage of 1litre/10m² per coat

Note: For non-mineral based surfaces including PVC plastics and metals, priming is not required. These surfaces should be free from oil and grease residues and general contaminants before installing BRW systems over



Damp / green surfaces

Gripset E60

Water based epoxy coating and vapour moisture barrier

Uses:

- External applications to floor and wall substrates
- Internal/external applications over damp or green screeds or floors containing high levels of residual moisture
- Internal/external applications over Hardies Scyon Secura floor sheeting or comparable lightweight sheet flooring

Coverage: Apply @ coverage of 1litre/3m² per coat.



GRADE 1 BRW PFN SHEET MEMBRANE

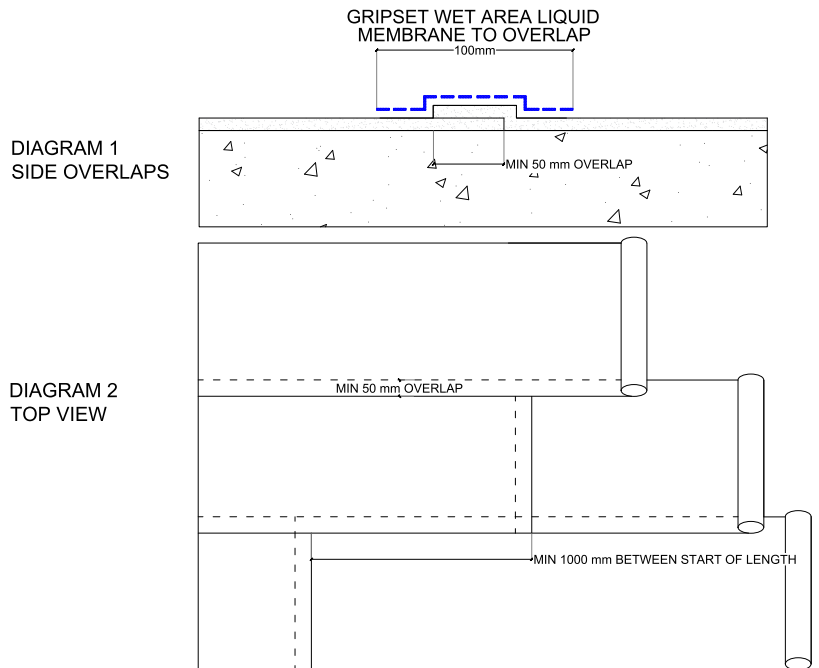
Installation methodology

1. Measure dimensions of the floor area the sheet is to be adhered to. On floor areas the sheet is to abut edges of the walls
2. Unroll the sheet and using a sharp knife or scissors, cut lengths required then re-roll sheet up in preparation for adhering to surfaces
3. Roll up cut lengths and place in starting position ready for laying
4. For longer runs exceeding the length of the roll, work directly off the roll
5. It is important that first roll is laid straight and so if not abutting a wall surfaces, use a string line to ensure all other lengths run parallel with the first
6. On sloped or graded surfaces, start by laying the membrane from the lowest point (nearest to drainage point) and working upwards to higher points (away from drains). Ensure overlaps formed aid the drainage of water and do not create counter gradient overlaps
7. Laying the sheet into position, remove approx. 100-200mm of release paper from the rear butyl rubber side and tack this onto the surface. Continue to slowly remove the rear release paper while the sheet is being unrolled and remove any creases or air bubbles with a flat trowel, heavy roller, or float to ensure the sheet is firmly bonded to the substrate
8. Ensure the sheet is well pressed at overlaps, corners, edges and termination points



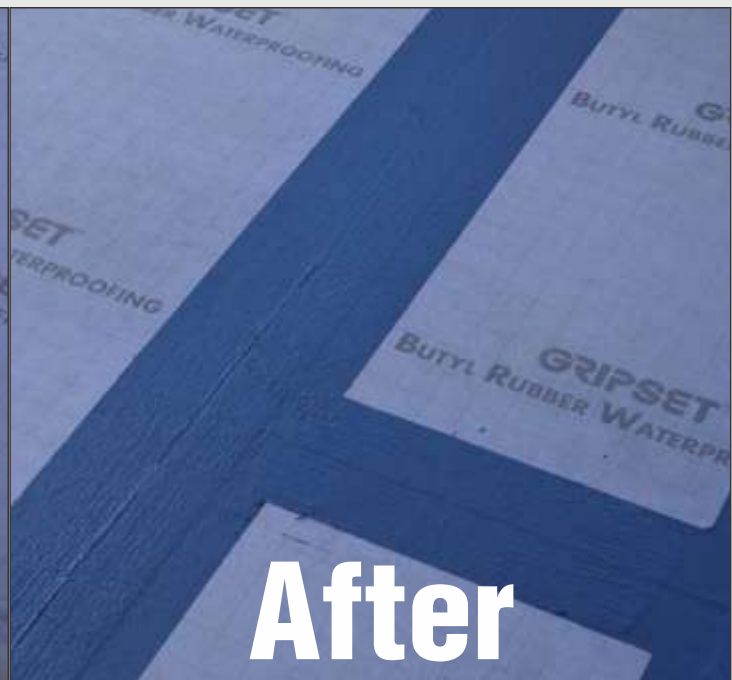
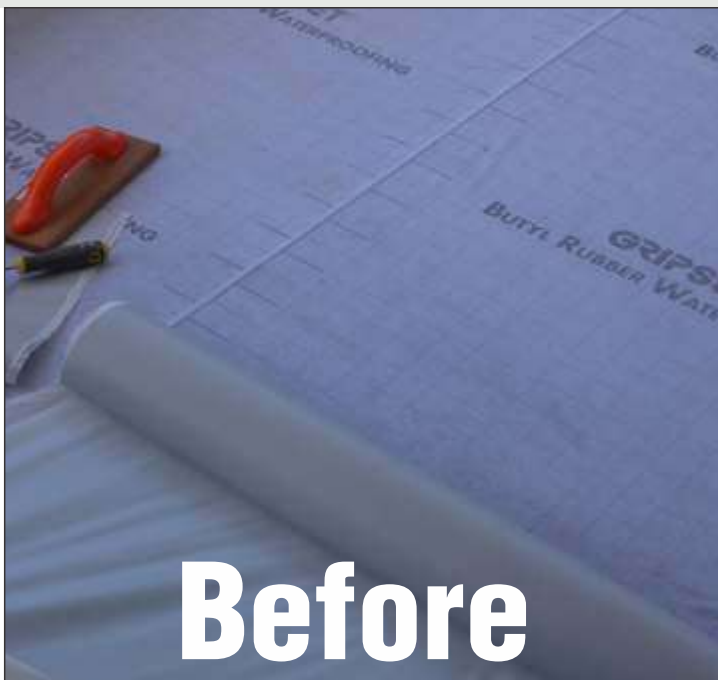
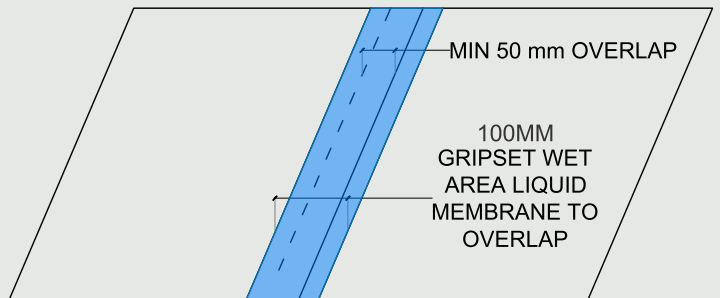
Sheet overlaps

- All sheet joins to sides and tops of sheet (where new roll is to be started) must have a minimum 50mm overlap. This represents 1 x square of the fabric facing pattern
- Use the squares as a guide to ensure the overlap runs straight
- Once overlapped and bonded, use a small, hand held vinyl roller and press sheet overlaps firmly, working the butyl into underlying sheet surface to ensure good connection



Liquid membrane over flashing

All sheet overlaps are to be coated with a 100mm wide liberal coat a Gripset wet area liquid membrane applied centrally across the overlap



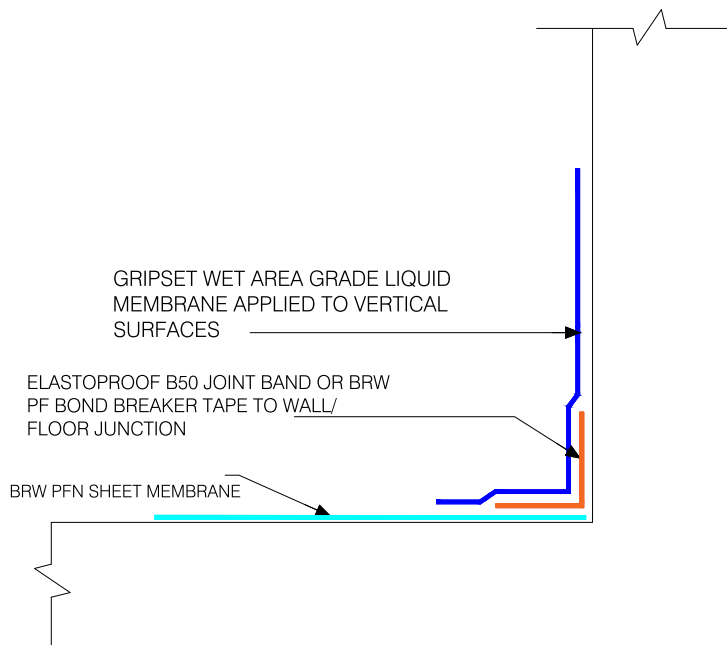
Bondbreaker (wall/floor junctions)

Option A)

Elastoproof B50 - elastic bondbreaker joint band

METHOD

- Install B50 bondbreaker bandage system at wall/floor junctions extending half the width up the walls and half onto BRW PFN Membrane to floors. Fix to the surface by embedding into, a wet coat of a Gripset wet area liquid membrane
- Apply a second coat of Gripset wet area liquid membrane over the face and edges of the Joint Band to encapsulate and extend up walls to the required termination height
- Use Prefabricated Corners at critical 90° and 270° corner intersections to ensure a seamless and elastic seal.



BRW PFN SHEET MEMBRANE | FLOOR WALL JUNCTION TERMINATION

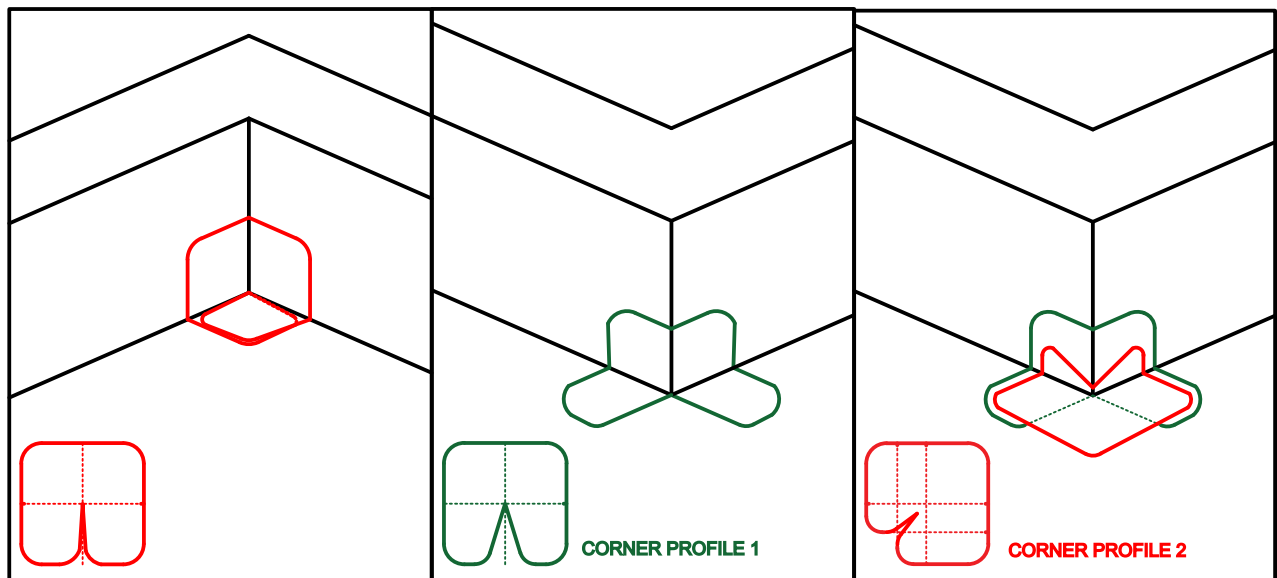


Option B)

BRW PF Tape - Self-adhesive, butyl rubber sealing/flashing tape

METHOD

- Install to wall/floor junctions extending half the width up the walls and half onto BRW PFN Membrane to floors.
- Press the Tape firmly using a hand held vinyl roller or spatula to ensure good connection to both surfaces, eliminating air pockets and creases.
- Corner profiles can be made from the BRW PF Tape for enhanced detailing to critical 90 and 270 corner sections.
- Minimum overlap between lengths of tape and prefabricated corner sections is 50mm
- Apply a liberal coat of wet area liquid membrane over the face and edges of the tape to encapsulate, extending up walls to the required termination height.



BRW PF / HD TAPE | INTERNAL
CORNER 90° DETAIL

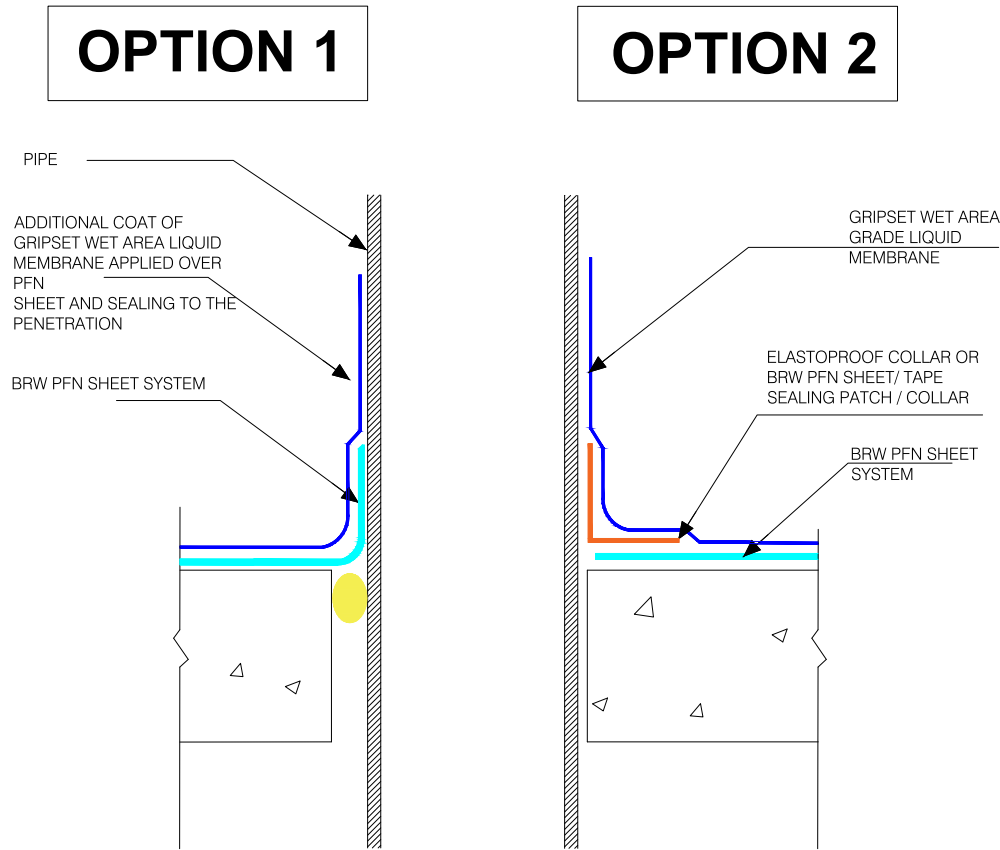
BRW PF / HD TAPE | EXTERNAL
CORNER 270° DETAIL

Pipes, penetrations and fixtures

Over pipes, penetrations and fixtures, the BRW-PFN sheet is to be cut to enable the sheet to slide over.

METHOD

- Measure the diameter and position where the sheet will cover the fixture. Mark the position, and using a knife/scissors cut a cross “+” in the sheet and slide over the fixture
- Alternatively, lay the unbonded sheet over the fixture, and press the sheet down firmly onto the fixture to create an imprint in the sheet. Cut accordingly and slide over.
- Adhere the sheet to the surface and trim any of the loose membrane around the upturn of the fixture ensuring the sheet is firmly bonded around/to the fixture and is sealed.
- Elastoproof Collars or individual sealing patches formed from sections of the BRW PFN sheet or PF Tape can also be used to seal around fixtures as required
- All penetrations are to be sealed with a liberal coat of Gripset wet area liquid membrane to seal turning the membrane up and sealing to the penetration



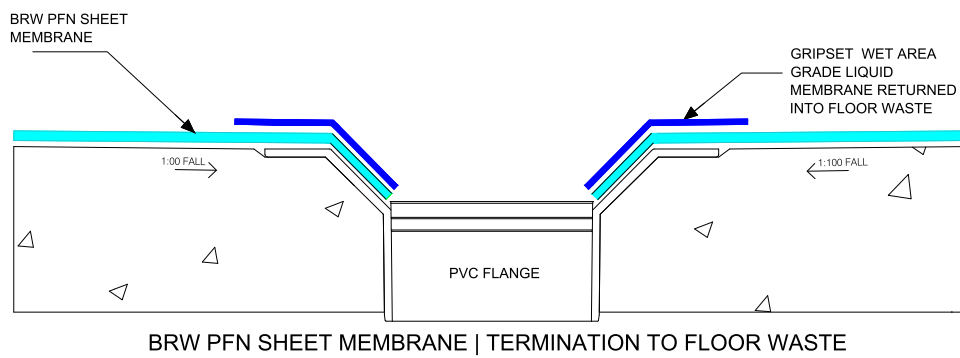
BRW PFN SHEET MEMBRANE | PENETRATIONS AND FIXTURE DETAILING



Floor wastes/leak control flanges

METHOD

- Lay the sheet directly over the waste and adhere to the floor surface and flange
- Mark and cut an aperture in the sheet to reveal the waste
- Ensure the interface between the substrate and floor waste/leak control flange is bridged and sealed



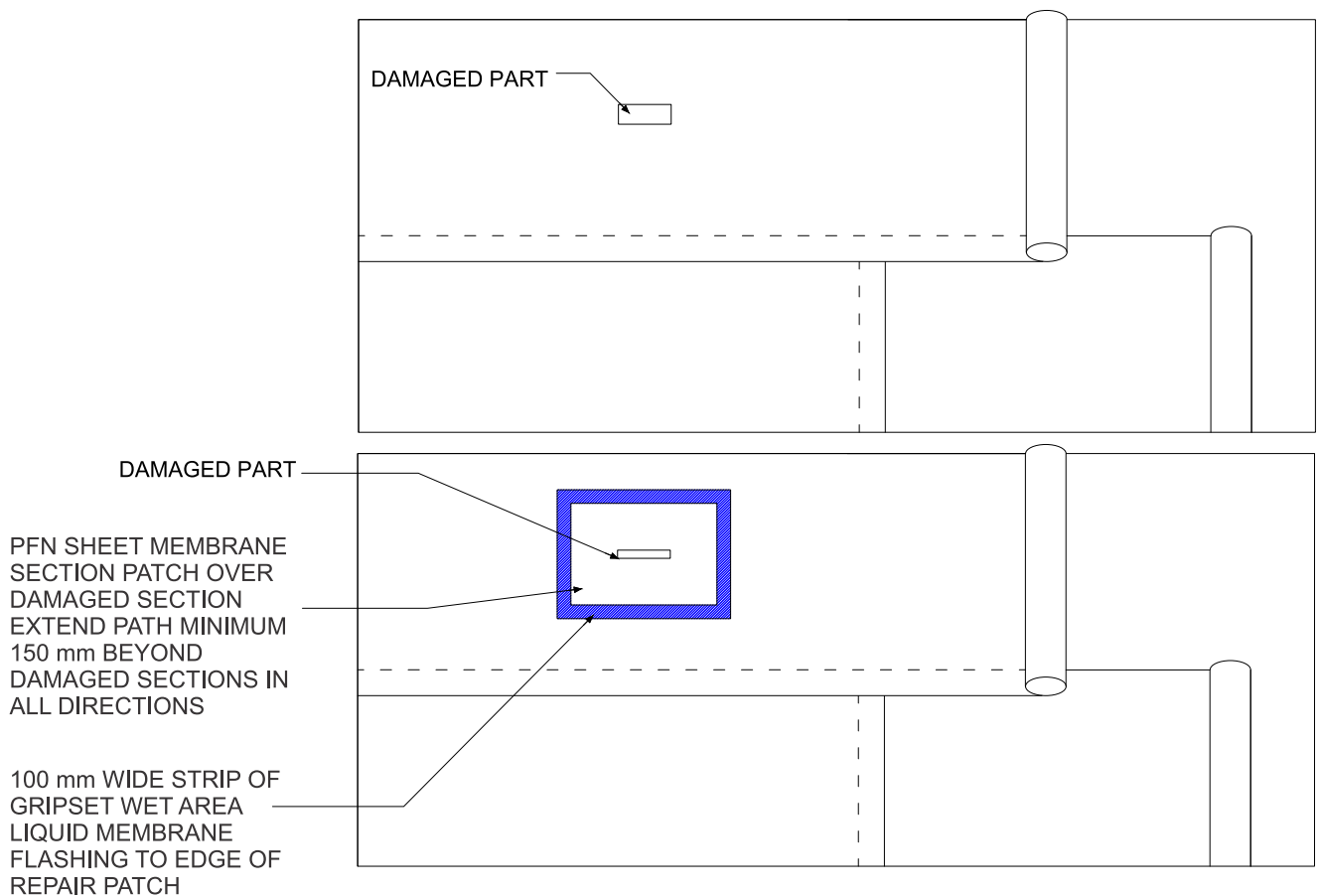
Sheet edge terminations (no sheet overlaps)

Where the BRW PFN Sheet terminates to horizontal surfaces (no vertical upturns) such as balcony edges, the exposed edge of the sheet is to be protected. Install BRW PF Tape or RLA Waterproof Bandage, laid centrally over the terminated edge and turn down over the balcony edge onto fascia sections. Cover with a suitable Gripset wet area liquid membrane to seal and encapsulate

Patching and repairs (to the installed sheet)

METHOD

- Using a sharp knife, cut out the damaged, blistered or delaminated sheet section back to areas where the sheet is well bonded, clean and the integrity of the sheet is maintained
- Create a "patch" using an offcut of BRW PFN membrane, ensuring the size of the patch is sufficient to cover repaired sections by at least 150mm on all sides
- Install the patch over the damaged sections, and using a small, hand held vinyl roller, firmly press edges of the patch to ensure good connection onto the existing membrane
- Coat and seal edges of the patch with a liberal coat of Gripset liquid membrane applied centrally across the overlap to seal



Toppings and surface finishes:

(Direct fixing tiles:)

Gripset tile adhesives can be used directly over the BRW PFN sheet membrane system. Refer to Gripset C-Lite, C-Mastic, C-Rubber and C-Stone for options

(Screed toppings:)

- Conventional sand/cement screeds installed over the BRW-PFN membrane are to incorporate the Gripset 11Y additive to enhance adhesion to the sheet. Alternatively, Gripset C-Bed engineered screed can be considered
- The face of the BRW-PFN sheet should be lightly sponged over with clean damp sponge to ensure the surface is clean prior to any direct fixing of screeds or tile adhesives.
- Refer to individual TDS for further details
- All tiling is to be carried out to AS3958 – 2023: Guide to the installation of ceramic and stone tiles

(Limitations:)

- To be used for horizontal flooring applications only. Not suitable for vertical applications supporting tiles, render or other decorative finishes
- Not to be used as a standalone, exposed or trafficable membrane finish
- Not to be finished over directly with solvent based finishes

Before

After



- Riva Homes

GRADE 2 BRW HD SHEET MEMBRANE

Installation Methodology

Floor surfaces

1. Measure dimensions of the floor area the sheet is to be adhered to. On floor areas the sheet is to abut edges of the walls
2. Unroll the sheet and using a sharp knife or scissors, cut lengths required then re-roll sheet up in preparation for adhering to surfaces
3. Roll up cut lengths and place in starting position ready for laying
4. For longer runs exceeding the length of the roll to floor surfaces, work directly off the roll
5. It is important that first roll is laid straight. If not abutting a wall surface, use a string line to ensure all other lengths run parallel with the first
6. On sloped or graded floor surfaces, start by laying the membrane from the lowest point (nearest to drainage point) and working upwards to higher points (away from drains). Ensure overlaps formed are aiding drainage of water and not creating counter gradient overlaps
7. Laying the sheet into position, remove approx. 100-200mm of release paper from the rear butyl rubber side and tack this onto the surface. Continue to slowly remove the rear release paper while the sheet is being unrolled and remove any creases or air bubbles with a flat trowel, heavy roller, or float to ensure the sheet is firmly bonded to the substrate

Wall surfaces

1. For wall surfaces the BRW-HD sheet is to be adhered working in a vertical joint pattern. Measure dimensions of the wall area the sheet is to be adhered, allowing extra if returning onto floor sections
2. For planter box applications, or applications where BRW HD wall sheet lengths are to overlap onto HD floor sheets, the minimum overlap should be 150mm
3. Unroll the sheet and using a sharp knife or scissors, cut lengths required then re-roll sheet up in preparation for adhering to surfaces
4. It is important that first roll is adhered straight to ensure all other lengths run parallel with the first. Using a string line will help ensure all other lengths run parallel with the first
5. Holding the sheet into position, remove approx. 100-200mm of release paper from the rear butyl rubber side and tack this onto the surface. Continue to slowly remove the rear release paper while the sheet is being unrolled and remove any creases or air bubbles with a flat trowel, heavy roller, or float to ensure the sheet is firmly bonded to the substrate

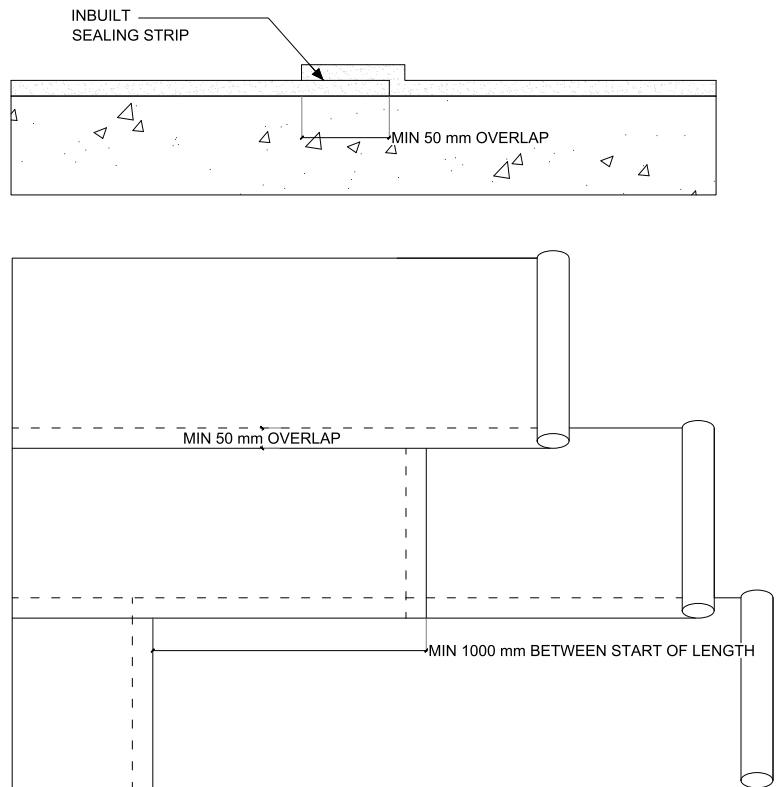


Sheet overlaps (vertical/ side overlaps)

It is important that side overlaps are properly sealed by utilising the in-built sealing strip on sheet edges

METHOD:

1. Remove the release tape on the sealing strip and place the overlapping sheet onto this ensuring the overlapping sheet lines up along the guide line
2. Using a small, hand held vinyl roller, press the sheet overlaps firmly, working the butyl into underlying sheet surface to ensure good connection

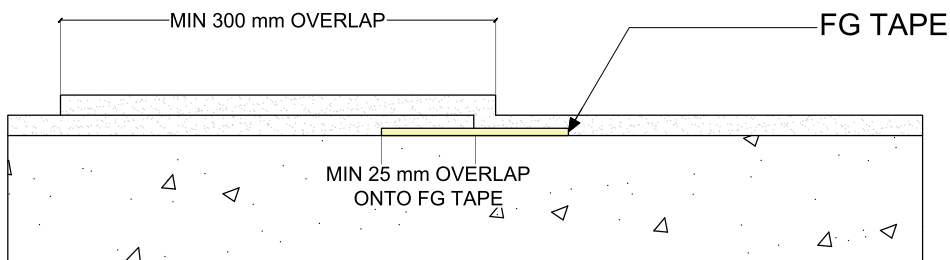


Sheet overlaps (Horizontal / end of roll)

BRW FG Tape is to be used at sheet ends to create a permanent seal between sheets at ends of rolls where there is no in built sealing strip

METHOD:

- Mark projected end of roll onto the substrate to use as a guide before removing final portion of release paper
- Install FG Sealing Tape centrally over marked line, remove release paper and push firmly into place
- Remove final portion of release paper on the sheet length and fix/overlap end of roll 25mm onto the FG Tape ensuring no air bubbles or creases
- Once in place start new roll application, overlapping a minimum 300mm onto existing sheet as indicated by perforated squares
- Using a small, hand held vinyl roller, press sheet overlaps firmly, working the butyl into underlying sheet surface to ensure good connection
- Using a small penny roller, firmly press edges of the sheet, working the butyl into the sheet below to ensure edges are sealed
- Refer to BRW FG Tape TDS for additional details and uses



Vertical sheet edge terminations (Base of walls)

For terminating the BRW HD sheet membrane to base of walls or horizontal footing sections of retaining walls, where no subsequent sheet or detailing tapes will be overlapped, the following is recommended

METHOD:

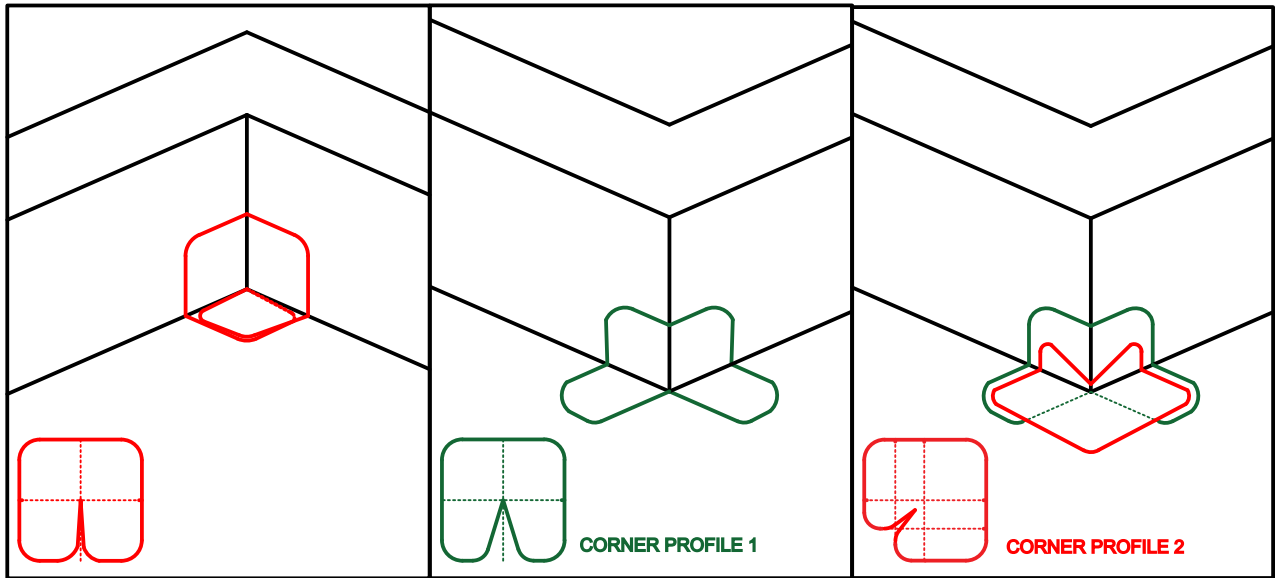
- Mark projected end of vertical HD sheet length onto base of wall or floor surfaces to use as a guide before removing final portion of release paper
- Install FG Sealing Tape to the surface allowing for a minimum 50mm overlap of the HD sheet beyond the tape onto the substrate
- Remove final portion of release paper and fix the sheet length onto the substrate
- Using a small, hand held vinyl roller, press sheet firmly onto the FG tape to ensure good connection
- Use a Penny roller and firmly press edges of sheets working it into the substrate
- Refer to BRW FG Tape TDS for additional details and uses.

Detailing wall/floor junctions (bondbreaker)

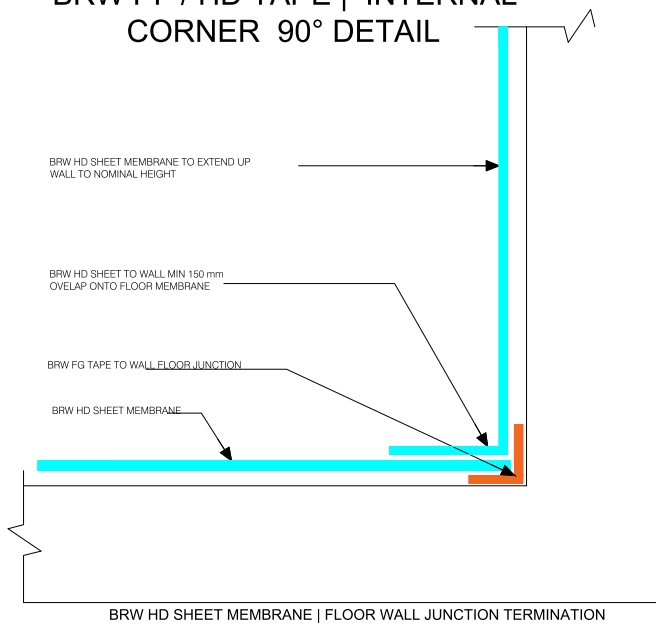
BRW HD Tape is to be utilised for sealing perimeter wall/floor junctions as the bondbreaker system, and construction of internal and external corner profiles

Minimum overlap of the HD Tape onto the BRW HD Sheet to floor areas is 50mm

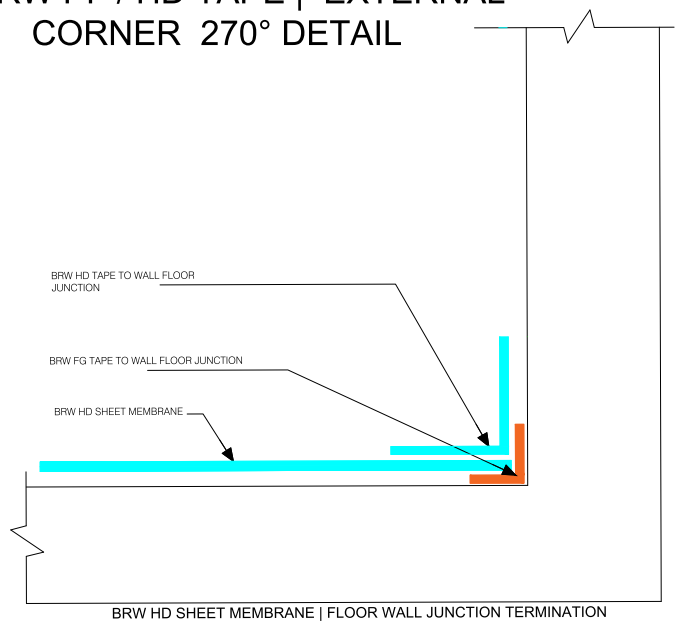
For membrane upturns exceeding 100mm, or where the HD is to be installed to vertical walls, cut lengths of the BRW HD Membrane accordingly



BRW PF / HD TAPE | INTERNAL CORNER 90° DETAIL



BRW PF / HD TAPE | EXTERNAL CORNER 270° DETAIL



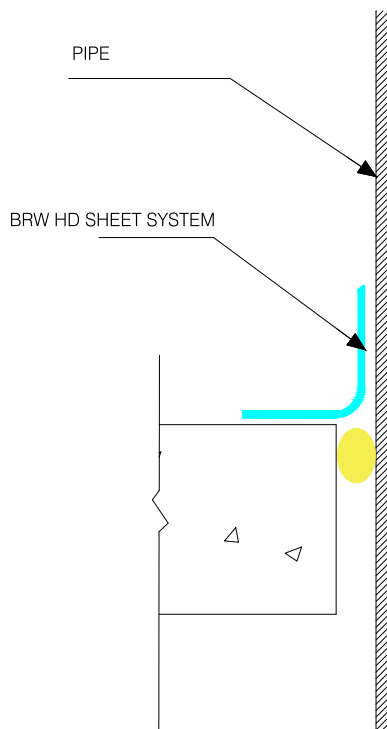
Pipes, penetrations and fixtures

Over pipes, penetrations and fixtures, the BRW-HD sheet is to be cut to enable the sheet to slide over.

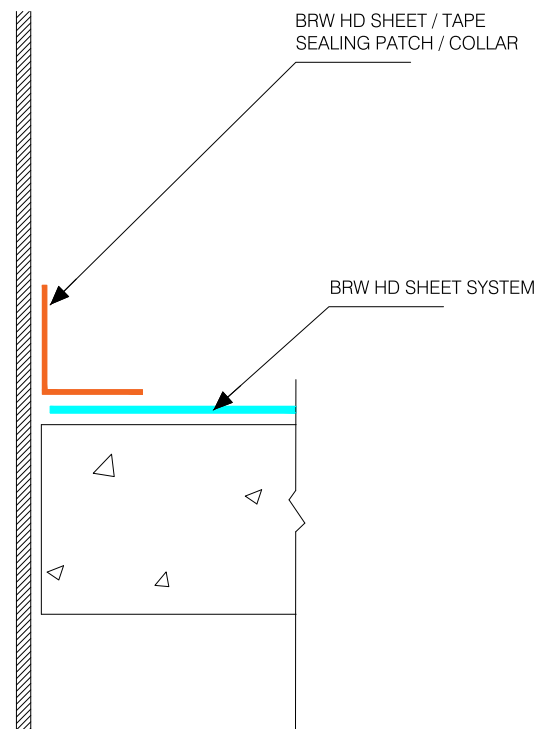
METHOD

- Measure the diameter and in the position where the sheet will cover the fixture. Mark the position, and using a knife/scissors cut a cross “+” in the sheet and slide over
- Alternatively, lay the unbonded sheet over the fixture, and press the sheet down firmly onto the fixture to create an imprint in the sheet. Cut accordingly and slide over
- Adhere the sheet to the surface and trim any of the loose membrane around the upturn of the fixture ensuring the sheet is firmly bonded around the fixture and is sealed.
- Individual sealing patches formed from sections of the BRW HD sheet or HD tape can also be used to seal around penetrations and fixtures
- Measure the diameter/dimensions of the pipe/fixture. Using an offcut of BRW HD sheet, cut out an aperture in the offcut slightly smaller than the diameter of the fixture. This will enable the HD patch to stretch over and create a water tight seal around the base of the penetration
- Once adhered, use a hand held vinyl roller and penny roller firmly press the patch working into the sheet/substrate below

OPTION 1



OPTION 2

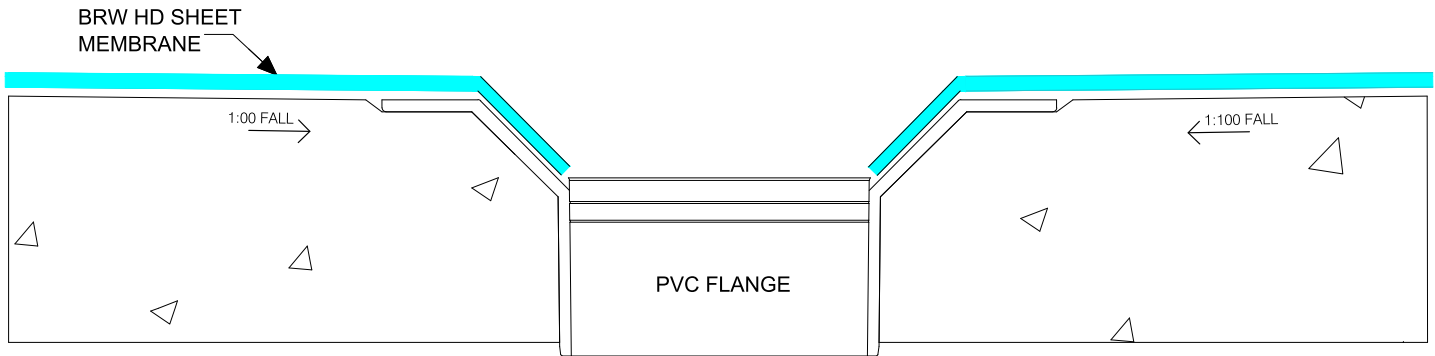


BRW HD SHEET MEMBRANE | PENETRATIONS AND FIXTURE DETAILING

Floor wastes

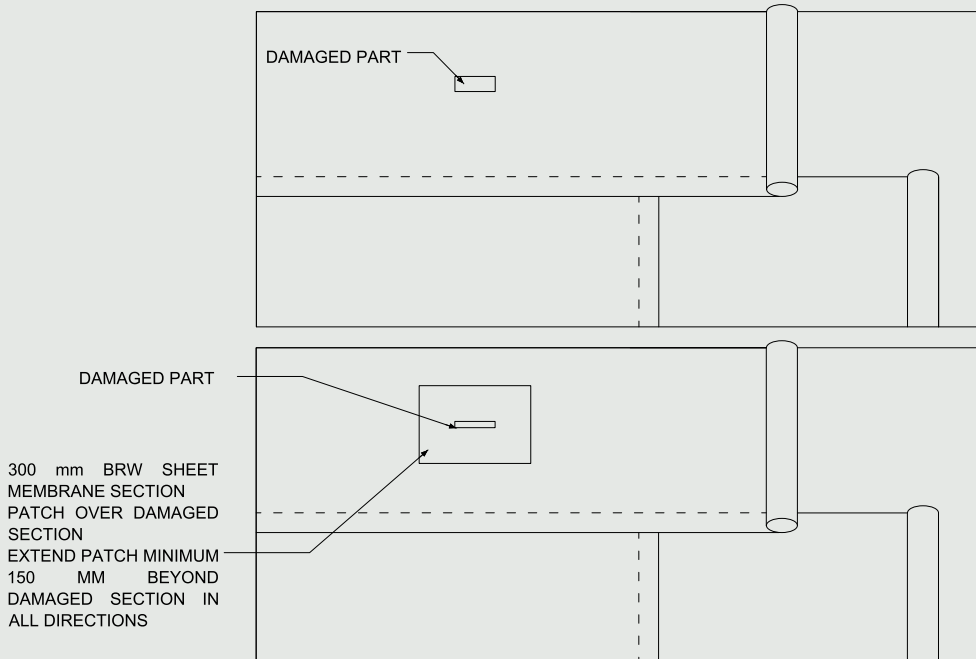
METHOD

- Lay the sheet directly over the waste and adhere to the floor surface and flange
- Mark and cut an aperture in the sheet to reveal the waste.
- Ensure the interface between the substrate and floor waste/leak control flange is bridged and sealed



BRW HD SHEET MEMBRANE | TERMINATION TO FLOOR WASTE

Patching and repairs



METHOD

- Using a sharp knife, cut out the damaged, blistered or delaminated sheet section back to areas where the sheet is well bonded, clean and the integrity of the sheet is maintained
- Create a "patch" using an offcut of BRW HD membrane, ensuring the size of the patch is sufficient to cover repaired sections by at least 100mm on all sides
- Install the patch over damaged sections, and using a small, hand held vinyl roller firmly press edges to ensure good connection onto the existing membrane
- Once adhered, use a penny roller and firmly press edges of the patch working into the sheet/substrate below

Vertical sheet edge terminations (Top of walls / sheet)

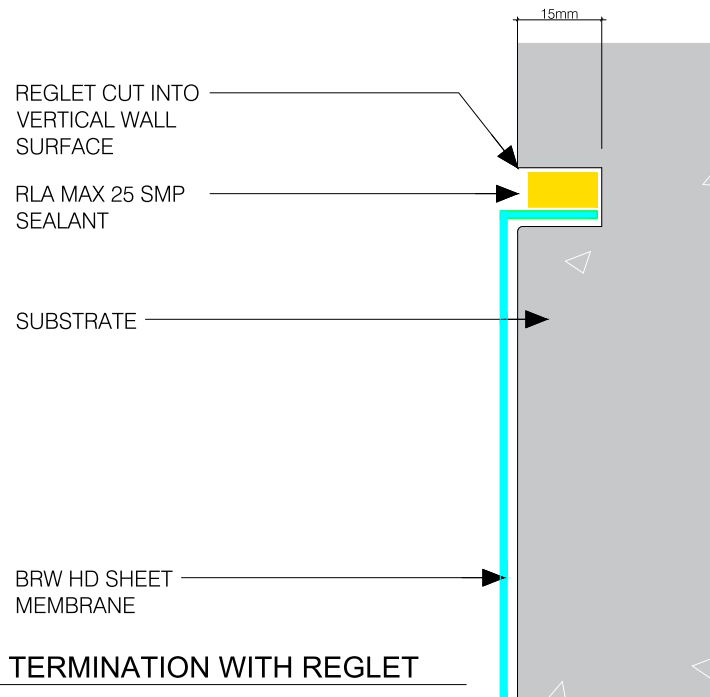
Sheet edge terminations are to be protected when applied to vertical surfaces for applications including retaining and basement walls and planter boxes. Options include:

Reglet

Uses: Over terminations where the BRW-HD sheet is to finish at soil lines and no vertical surface finishes are to be incorporated, e.g. exposed brick, stone etc.

Method:

- Mark the termination point of the BRW HD Membrane to vertical wall surfaces according to project requirements
- Mechanically grind a 10mm wide x 15mm deep horizontal channel along the termination point along the length of the wall
- Remove all loose material and debris from the channel
- Adhere the BRW HD Sheet Membrane to wall surfaces terminating to the cut channel / reglet
- Seal reglet with RLA MAX SMP 25 Sealant



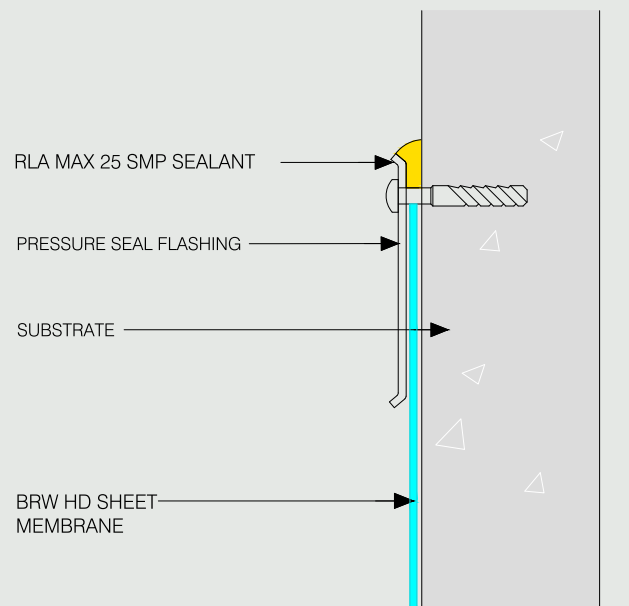
VERTICAL TERMINATION WITH REGLET

Pressure seal

Uses: Over terminations where the BRW-HD sheet is to finish at soil lines and no vertical surface finishes are to be incorporated.

METHOD

- Mechanically fix pressure seal to vertical BRW HD sheet terminations
- Seal tops of pressure seal with RLA MAX SMP 25 sealant



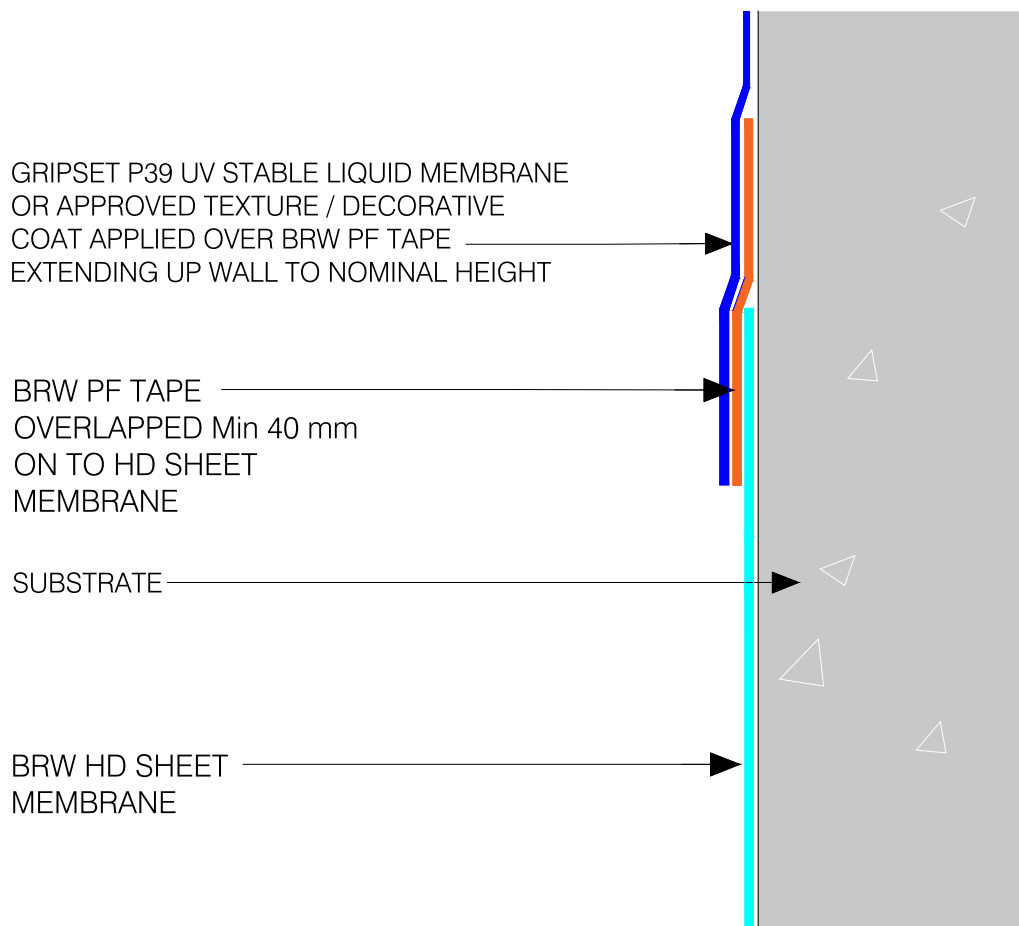
VERTICAL TERMINATION WITH PRESSURE SEAL

Liquid flashing

Uses: Where a decorative liquid coating such as a paint or texture finish is to extend onto the vertical termination of the BRW HD Membrane

METHOD:

- Install the BRW-PF Tape centrally over the HD sheet termination ensuring a minimum 40mm overlap onto the sheet and wall substrate
- Use a hand held vinyl roller to firmly press down the PF Tape to ensure good connection to the HD sheet and substrate
- Apply selected Gripset liquid membrane, proprietary render or alternate decorative finish to wall surfaces extending onto and covering / adhering to the BRW-PF Tape



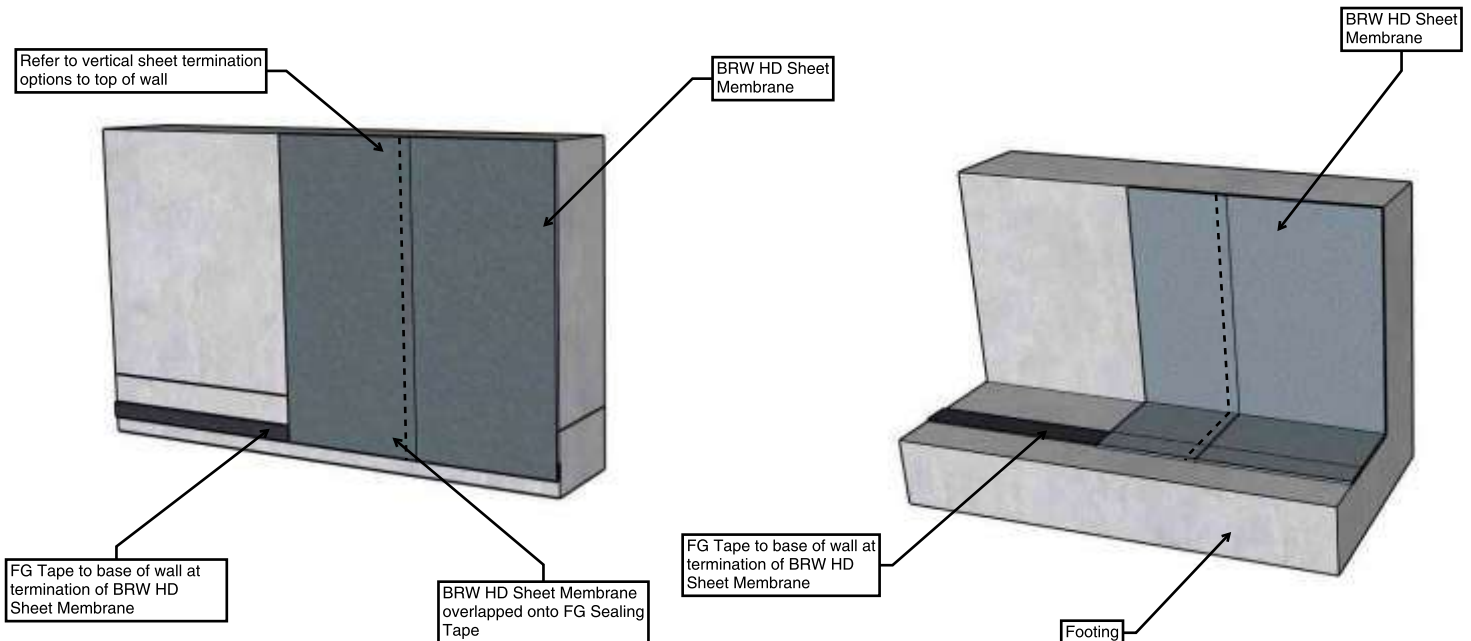
VERTICAL TERMINATION WITH LIQUID FLASHING

Specialist BRW-HD applications: BRW HD SHEET SYSTEM

RETAINING WALLS

METHODOLOGY

- Prepare wall and footing surfaces as per product TDS, ensuring surfaces are sound, smooth, stable, clean, dry and free from general contaminants
- Determine termination detail to top of wall and prepare surfaces accordingly. E.g. if using Reglets
- Prime walls and footings with recommended Gripset primer
- Sheets are to be installed in a vertical joint pattern
- Measure wall sections and cut sheet lengths accordingly. Ensure sheet lengths are measured to bridge wall/footing joints to ground level, or extend onto horizontal footing sections if applicable
- Observe required sheet overlaps
- Where sheets are to terminate to base of walls onto footings, mark the location and install BRW FG Tape and fix to footings
- Adhere sheets to the wall, pressing firmly to remove any creases or air bubbles and ensure the sheet is firmly bonded to the substrate
- Fix terminated sheet edge onto FG Tape to base of wall and press firmly with hand held vinyl roller to ensure good connection
- Refer to vertical membrane termination section for finishing options
- Protection board, geotextile and drainage cell to be installed over finished HD membrane prior to backfilling



Specialist BRW-HD applications: Planter boxes

METHODOLOGY

- Prepare floor and wall surfaces as per product TDS, ensuring surfaces are sound, smooth stable, clean, dry and free from general contaminants
- Floor substrates to have sufficient falls and drainage
- Determine termination detail to top of wall and prepare surfaces accordingly. E.g. if using Reglets etc.
- Prime floors and walls with recommended Gripset primer

Stage 1: Joint Transitions

- All joint transitions including wall/floor and wall/wall junctions are to be detailed with BRW FG Tape
- Measure lengths of the FG Tape and adhere centrally over joints. Press firmly onto surfaces to remove creases or air bubbles and ensure tape is firmly bonded to surfaces

Stage 2: Floor surfaces

- Measure dimensions of the floor area and cut sheets accordingly so that sheets abut perimeter walls, adhering onto the BRW FG Tape
- Adhere sheets to floors, pressing firmly to remove any creases or air bubbles and ensure the sheet is firmly bonded to the substrate
- On sloped or graded floor surfaces, start by laying the membrane from the lowest point (nearest to drainage point) and working upwards to higher points (away from drains)

Stage 3: Wall surfaces

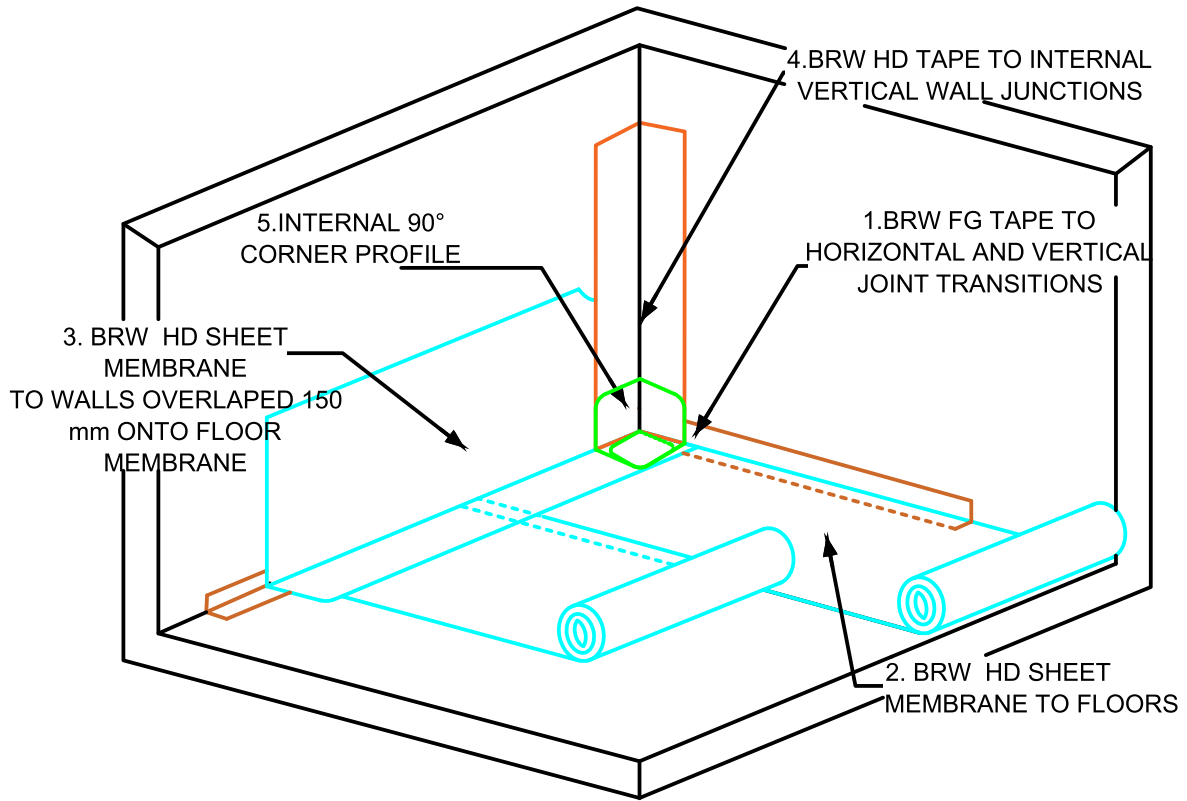
- Wall sheets are to be installed in a vertical joint pattern, abutting internal wall/wall junctions and overlapping onto the FG Sealing Tape
- Measure dimensions of wall sections allowing for a minimum 150mm overlap onto floors and cut sheet lengths accordingly
- Adhere sheets to the wall and floor surfaces overlapping onto the existing HD Membrane to floors. Press firmly to remove any creases or air bubbles and ensure the sheet is firmly bonded to all surfaces

Corner Intersections

- All 90° and 270° corner intersections and internal wall/wall junctions are to be sealed as the final detail
- Using BRW HD Tape or lengths of the HD sheet, create corner profiles and fix to 90° and 270° corner intersections
- Internal wall/wall junctions are to be sealed next. Measure and cut strips of the BRW HD Tape or BRW HD Membrane and adhere centrally over vertical junctions. The tape should be extend down to floor level, overlapping onto pre installed corner sections
- Press firmly to remove any creases or air bubbles and at edges of sheet lengths to eliminate creases and ensure the sheet is firmly bonded to all surfaces

GRIPSET

SEALED FOR GOOD





GRIPSET[®]**38FC**
SBR FAST CURE MEMBRANE

**Australia's Number One
Wet Area Liquid Membrane**

**Expert Technical Support &
Sales Representatives**

GRIPSET[®]
SEALED FOR GOOD

**AUS 1800 242 931
NZ 09 889 0433
INT +61 8 8124 7300**

tech@gripset.com or sales@gripset.com

GRIPSET®

SEALED FOR GOOD

BECOME AN INDUSTRY LEADER WITH THE GRIPSET GAPP TRAINING COURSE



- ✓ Learn how to avoid dampness & water damage.
- ✓ Correct preparation of surfaces.
- ✓ Australian waterproofing standards for internal and external wet areas.
- ✓ Gripset waterproofing product systems.
- ✓ How to apply sheet membranes.



HOW IT WORKS

PART 1 | Theory Content via Zoom (Online)

3 x 2.5hr sessions over 1 week.
(i.e. Mon, Wed, Fri at 4:30pm AEST)

- ✓ Theory covers internal & external wet areas, Australian Standards, business growth & profitability, Gripset product, systems & applications.
- ✓ A welcome pack and detailed agenda is shared with you prior to the training.

PART 2

- ✓ Face to face hands on product application.
- ✓ Our Cert IV Trainer visits your state at a training facility to support & guide you in applying the Gripset systems.
- ✓ You'll feel confident in putting your skills to practice at future jobs from this real-world interactive experience.

OUTCOMES YOU CAN EXPECT...



Provides the opportunity for the closest working relationship with a manufacturer on the market.



Be viewed as an expert and highly skilled waterproofing applicator with a manufacturer backing.



Enables business growth & greater profitability.



MEET YOUR TRAINER

Yandi has over 20 years experience as a tiler and waterproofer, spending the last 4 years as a full time trainer. Yandi's passion to drive improvement within the industry, paired with his knowledge and experience, promises to deliver you an informative and advantaged training.



www.gripset.com/training REGISTER HERE: